

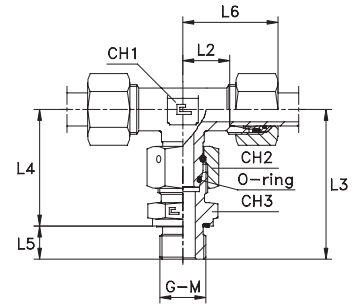
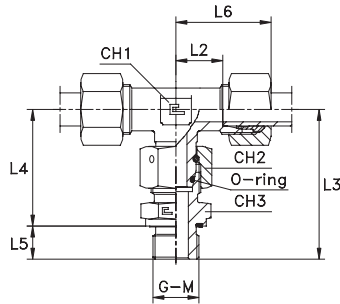
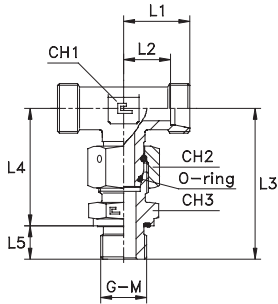
ADJUSTABLE MALE STUD BRANCH TEE WITH MALE STUD

Thread BSP Parallel - Thread Metric Parallel

Type: **6051...1** Body
Type: **6052...1** Body

Type: **6051.. B3** Ring
Type: **6052.. B3** Ring

Type: **6051...4** B4 Ring
Type: **6052...4** B4 Ring



Series DIN	60.... [bar]	61.... [bar]	Ordering Body	Ordering Equipped B3	Ø Tube	G	L1	L2	L3	L4	L5	L6	CH1	CH2	CH3	Ordering Equipped B4
L	500	315	605104.1	605104	6	1/8	19	12	42,5	34,5	8	27	12	14	14	605104.4
			605105.1	605105	8	1/4	21	14	49,5	37,5	12	29	12	17	19	605105.4
			605106.1	605106	10	1/4	22	15	52	40	12	30	14	19	19	605106.4
			605107.1	605107	12	3/8	24	17	54	42	12	32	17	22	22	605107.4
			605108.1	605108	15	1/2	28	21	60,5	46,5	14	36	19	27	27	605108.4
	400	160	605109.1	605109	18	1/2	31	23,5	64	50	14	40	24	32	27	605109.4
			605110.1	605110	22	3/4	35	27,5	71	55	16	44	27	36	32	605110.4
			605111.1	605111	28	1	38	30,5	77	59	18	47	36	41	41	605111.4
			605112.1	605112	35	1 1/4	45	34,5	89	69	20	56	41	50	50	605112.4
			605113.1	605113	42	1 1/2	51	40	97	75	22	63	50	60	55	605113.4
S	800	630	605114.1	605114	6	1/4	23	16	52	40	12	31	12	17	19	605114.4
			605115.1	605115	8	1/4	24	17	54,5	42,5	12	32	14	19	19	605115.4
			605116.1	605116	10	3/8	25	17,5	57,5	45,5	12	34	17	22	22	605116.4
			605117.1	605117	12	3/8	29	21,5	60,5	48,5	12	38	17	24	22	605117.4
	630	400	605118.1	605118	14	1/2	30	22	68	54	14	40	19	27	27	605118.4
			605119.1	605119	16	1/2	33	24,5	69	55	14	43	24	30	27	605119.4
			605120.1	605120	20	3/4	37	26,5	81	65	16	48	27	36	32	605120.4
			605121.1	605121	25	1	42	30	91	73	18	54	36	46	41	605121.4
			605122.1	605122	30	1 1/4	49	35,5	99	79	20	62	41	50	50	605122.4
			605123.1	605123	38	1 1/2	57	41	111	89	22	72	50	60	55	605123.4

Note: If you wish to order a fitting in stainless steel, please change the first two digit from **60....** to **61....** .

Series DIN	60.... [bar]	61.... [bar]	Ordering Body	Ordering Equipped B3	Ø Tube	M	L1	L2	L3	L4	L5	L6	CH1	CH2	CH3	Ordering Equipped B4
L	500	315	605204.1	605204	6	10x1	19	12	42,5	34,5	8	27	12	14	14	605204.4
			605205.1	605205	8	12x1.5	21	14	49,5	37,5	12	29	12	17	17	605205.4
			605206.1	605206	10	14x1.5	22	15	52	40	12	30	14	19	19	605206.4
			605207.1	605207	12	16x1.5	24	17	54	42	12	32	17	22	22	605207.4
			605208.1	605208	15	18x1.5	28	21	58	46	14	36	19	27	24	605208.4
	400	160	605209.1	605209	18	22x1.5	31	23,5	64	50	14	40	24	32	27	605209.4
			605210.1	605210	22	26x1.5	35	27,5	71	55	16	44	27	36	32	605210.4
			605211.1	605211	28	33x2	38	30,5	77	59	18	47	36	41	41	605211.4
			605212.1	605212	35	42x2	45	34,5	89	69	20	56	41	50	50	605212.4
			605213.1	605213	42	48x2	51	40	97	75	22	63	50	60	55	605213.4
S	800	630	605214.1	605214	6	12x1.5	23	16	52	40	12	31	12	17	17	605214.4
			605215.1	605215	8	14x1.5	24	17	54,5	42,5	12	32	14	19	19	605215.4
			605216.1	605216	10	16x1.5	25	17,5	57,5	45,5	12	34	17	22	22	605216.4
			605217.1	605217	12	18x1.5	29	21,5	60,5	48,5	12	38	17	24	24	605217.4
	630	400	605218.1	605218	14	20x1.5	30	22	68	54	14	40	19	27	27	605218.4
			605219.1	605219	16	22x1.5	33	24,5	69	55	14	43	24	30	27	605219.4
			605220.1	605220	20	27x2	37	26,5	81	65	16	48	27	36	32	605220.4
			605221.1	605221	25	33x2	42	30	91	73	18	54	36	46	41	605221.4
			605222.1	605222	30	42x2	49	35,5	99	79	20	62	41	50	50	605222.4
			605223.1	605223	38	48x2	57	41	111	89	22	72	50	60	55	605223.4

Note: If you wish to order a fitting in stainless steel, please change the first two digit from **60....** to **61....** .