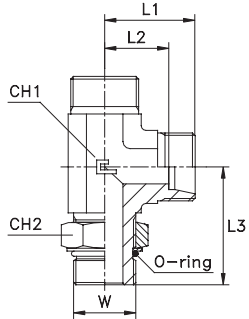


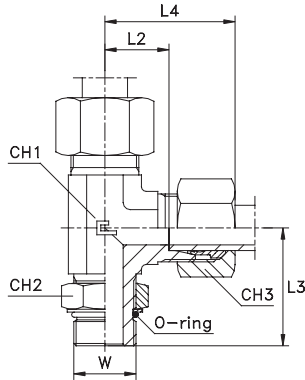
ADJUSTABLE DIN MALE STUD BARREL TEE WITH O-RING

Thread UNF/UN-2A

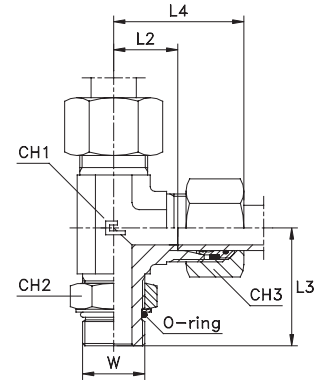
Type: **1069...1** Body



Type: **1069.. B3** Ring



Type: **1069...4** B4 Ring



Series DIN	10.... [bar]	11.... [bar]	Ordering Body	Ordering Equipped B3	Ø Tube	W	L1	L2	L3	L4	CH1	CH2	CH3	Ordering Equipped B4
L	315	315	106904.1	106904	6	7/16-20	19	12	27	27	11	14	14	106904.4
			106905.1	106905	8	7/16-20	21	14	28	29	14	14	17	106905.4
			106906.1	106906	10	9/16-18	22	15	32	30	14	17	19	106906.4
			106907.1	106907	12	3/4-16	24	17	37	32	19	22	22	106907.4
			106908.1	106908	15	7/8-14	28	21	43	36	22	27	27	106908.4
	106909.1	106909	18	7/8-14	31	23,5	47	40	27	27	32	106909.4		
	160	160	106910.1	106910	22	1 1/16-12	35	27,5	49,5	44	27	32	36	106910.4
			106911.1	106911	28	1 5/16-12	38	30,5	52	47	33	41	41	106911.4
			106912.1	106912	35	1 5/8-12	45	34,5	58	56	41	50	50	106912.4
			106913.1	106913	42	1 7/8-12	51	40	60	63	48	55	60	106913.4
106914.1			106914	6	7/16-20	23	16	29	31	14	14	17	106914.4	
S	400	400	106915.1	106915	8	9/16-18	24	17	33	32	14	17	19	106915.4
			106916.1	106916	10	9/16-18	25	17,5	37,5	34	19	17	22	106916.4
			106917.1	106917	12	3/4-16	29	21,5	38	38	19	22	24	106917.4
			106918.1	106918	14	7/8-14	30	22	44	40	22	27	27	106918.4
			106919.1	106919	16	7/8-14	33	24,5	48	43	27	27	30	106919.4
			106920.1	106920	20	1 1/16-12	37	26,5	51	48	27	32	36	106920.4
			106921.1	106921	25	1 5/16-12	42	30	53	54	33	41	46	106921.4
	250	250	106922.1	106922	30	1 5/8-12	49	35,5	59	62	41	50	50	106922.4
			106923.1	106923	38	1 7/8-12	57	41	62	72	48	55	60	106923.4

Note: If you wish to order AISI 316 stainless steel fittings, please change the first two digits from **10....** to **11....** .
 If you wish to order AISI 316 stainless steel fittings with AISI 304 stainless steel nuts, please change the first two digits from **10....** to **14....** .
 Items not included in the ISO 8434-1 Norm available on request only.