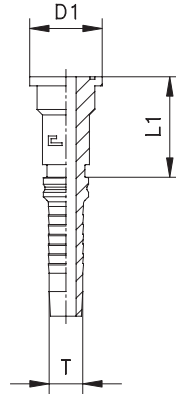


SAE WHOLE STRAIGHT FLANGE 3000 PSI SERIES - SAE J518

Code: **8078.. INTERLOCK**
 Type: **SFL**

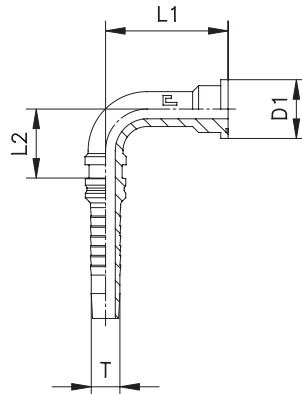


CODE	I.D. hose T			Ø flange	D1	L1	PN [bar]
	DN	size	INCH				
807801	19	-12	3/4	3/4	38	48	350
807802	19	-12	3/4	1	44,5	51	350
807803	25	-16	1	1	44,5	51,5	320
807804	25	-16	1	1 1/4	50,8	56	280
807805	31	-20	1 1/4	1 1/4	50,8	57,5	280
807806	31	-20	1 1/4	1 1/2	60,3	59,5	210
807807	38	-24	1 1/2	1 1/2	60,3	59,5	210
807808	38	-24	1 1/2	2	71,4	64,5	210
807809	51	-32	2	2	71,4	66	210

Notes: If you wish to order a fitting in stainless steel, please change the first two digit from **80....** to **81....** .

SAE WHOLE 90° FLANGE 3000 PSI SERIES - SAE J518

Code: **8079.. INTERLOCK**
 Type: **SFL90**



CODE	I.D. hose T			Ø flange	D1	L1	L2	PN [bar]
	DN	size	INCH					
807901	19	-12	3/4	3/4	38	52	52	350
807902	19	-12	3/4	1	44,5	55	52	350
807903	25	-16	1	1	44,5	61	68	320
807904	25	-16	1	1 1/4	50,8	63,5	68	280
807905	31	-20	1 1/4	1 1/4	50,8	74,5	81	280
807906	31	-20	1 1/4	1 1/2	60,3	80	81	210
807907	38	-24	1 1/2	1 1/2	60,3	90,5	105,5	210
807908	38	-24	1 1/2	2	71,4	96,5	105,5	210
807909	51	-32	2	2	71,4	112	142,5	210

Notes: If you wish to order a fitting in stainless steel, please change the first two digit from **80....** to **81....** .