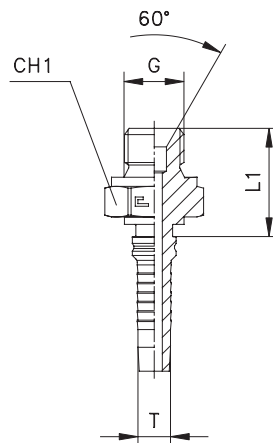


## STRAIGHT - 60° CONE - ISO 8434-6 (BS 5200)

Thread BSP Parallel

Code: **8070.. INTERLOCK**

Type: **AGR**



CODE	I.D. hose T			G	L1	CH1	PN [bar]
	DN	size	INCH				
807001	19	-12	3/4	3/4	34,5	32	315
807002	25	-16	1	1	39	41	250
807003	25	-16	1	1 1/4	42	50	200
807004	31	-20	1 1/4	1 1/4	44,5	50	200
807005	38	-24	1 1/2	1 1/2	49,5	55	160
807006	51	-32	2	2	57,5	70	125

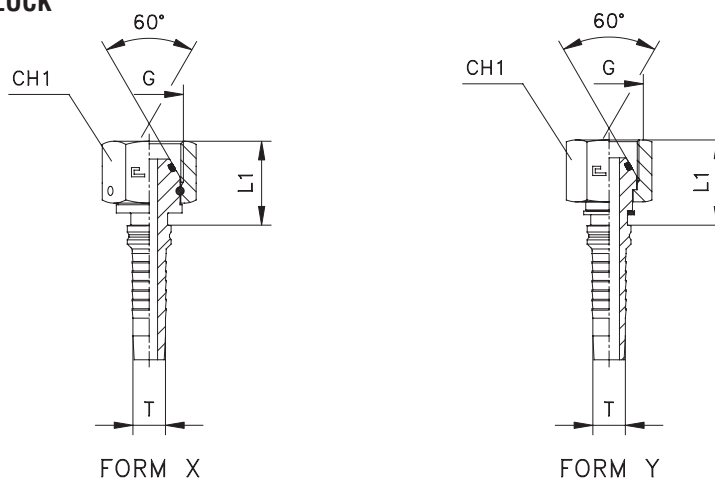
Notes: If you wish to order a fitting in stainless steel, please change the first two digit from **80....** to **81....** .

## STRAIGHT THURST-WIRE/SLIP-ON NUT - 60° CONE WITH O-RING - ISO 8434-6 (BS 5200)

Thread BSP Parallel

Code: **8071.. INTERLOCK**

Type: **DKOR**



CODE	I.D. hose T			G	FORM	L1	CH1	PN [bar]
	DN	size	INCH					
807101	19	-12	3/4	3/4	X	22,5	32	315
807102	25	-16	1	1	X	28	41	250
807103	25	-16	1	1 1/4	Y	31	50	200
807104	31	-20	1 1/4	1 1/4	Y	32,5	50	200
807105	38	-24	1 1/2	1 1/2	Y	34,5	55	160
807106	51	-32	2	2	X	38	70	125

Notes: If you wish to order a fitting in stainless steel, please change the first two digit from **80....** to **81....** .