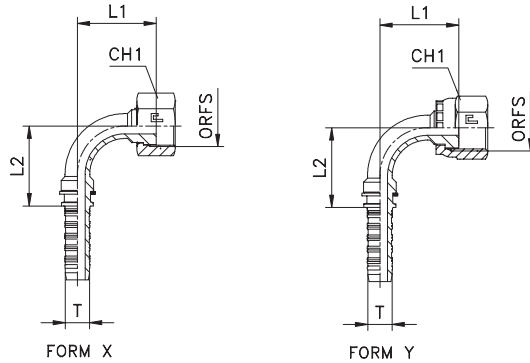


90° ELBOW ORFS CRIMPED-BACK/SLIP-ON NUT - ISO 8434-3 (SAE J1453)

Thread UNF/UNS/UN-2B

Code: **8044..**
Type: **ORFS90**



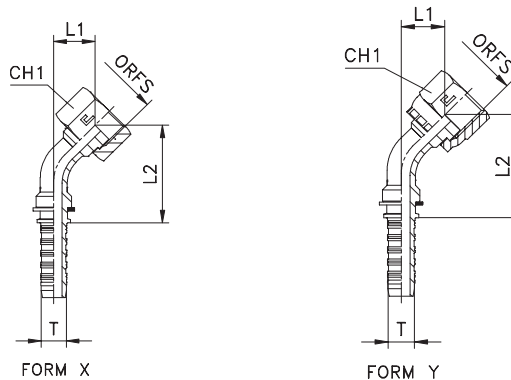
CODE	I.D. hose T			Pipe Ø ORFS		ORFS	FORM	L1	L2	CH1	PN [bar]
	DN	size	INCH	M	W						
804401	6	-4	1/4	6	1/4	9/16-18	X	26,5	26	17	450
804402	6	-4	1/4	8-10	5/16-3/8	11/16-16	X	29,5	26	22	450
804403	8	-5	5/16	8-10	5/16-3/8	11/16-16	X	30	27,5	22	350
804404	10	-6	3/8	8-10	5/16-3/8	11/16-16	X	31,5	32	22	445
804405	10	-6	3/8	12	1/2	13/16-16	X	34,5	32	24	445
804406	12	-8	1/2	12	1/2	13/16-16	Y	35	35,5	24	415
804407	12	-8	1/2	14-15-16	5/8	1-14	X	39	35,5	30	415
804408	12	-8	1/2	18-20	3/4	13/16-12	X	42	35,5	36	415
804409	16	-10	5/8	14-15-16	5/8	1-14	X	41	40	30	350
804410	16	-10	5/8	18-20	3/4	13/16-12	X	44	40	36	350
804411	19	-12	3/4	18-20	3/4	13/16-12	X	48	50,5	36	350
804412	19	-12	3/4	22-25	7/8-1	17/16-12	X	51,5	50,5	41	350
804413	25	-16	1	22-25	7/8-1	17/16-12	Y	57,5	63	46	280
804414	31	-20	1 1/4	28-30-32	1 1/4	11/16-12	Y	72	75,5	50	210
804415	38	-24	1 1/2	35-38	1 1/2	2-12	X	87	101	60	185

Notes: If you wish to order a fitting in stainless steel, please change the first two digit from **80....** to **81....** .

45° ELBOW ORFS CRIMPED-BACK/SLIP-ON NUT - ISO 8434-3 (SAE J1453)

Thread UNF/UNS/UN-2B

Code: **8045..**
Type: **ORFS45**



CODE	I.D. hose T			Pipe Ø ORFS		ORFS	FORM	L1	L2	CH1	PN [bar]
	DN	size	INCH	M	W						
804501	6	-4	1/4	6	1/4	9/16-18	X	12	42	17	450
804502	6	-4	1/4	8-10	5/16-3/8	11/16-16	X	14,5	44,5	22	450
804503	8	-5	5/16	8-10	5/16-3/8	11/16-16	X	14	45,5	22	350
804504	10	-6	3/8	8-10	5/16-3/8	11/16-16	X	15	50,5	22	445
804505	10	-6	3/8	12	1/2	13/16-16	X	17	53	24	445
804506	12	-8	1/2	12	1/2	13/16-16	Y	16,5	57	24	415
804507	12	-8	1/2	14-15-16	5/8	1-14	X	19,5	60	30	415
804508	12	-8	1/2	18-20	3/4	13/16-12	X	21,5	62	36	415
804509	16	-10	5/8	14-15-16	5/8	1-14	X	19,5	65	30	350
804510	16	-10	5/8	18-20	3/4	13/16-12	X	21,5	67	36	350
804511	19	-12	3/4	18-20	3/4	13/16-12	X	22,5	80	36	350
804512	19	-12	3/4	22-25	7/8-1	17/16-12	X	25	82,5	41	350
804513	25	-16	1	22-25	7/8-1	17/16-12	Y	26	98,5	46	280
804514	31	-20	1 1/4	28-30-32	1 1/4	11/16-12	Y	31	118	50	210
804515	38	-24	1 1/2	35-38	1 1/2	2-12	X	37,5	152	60	185

Notes: If you wish to order a fitting in stainless steel, please change the first two digit from **80....** to **81....** .